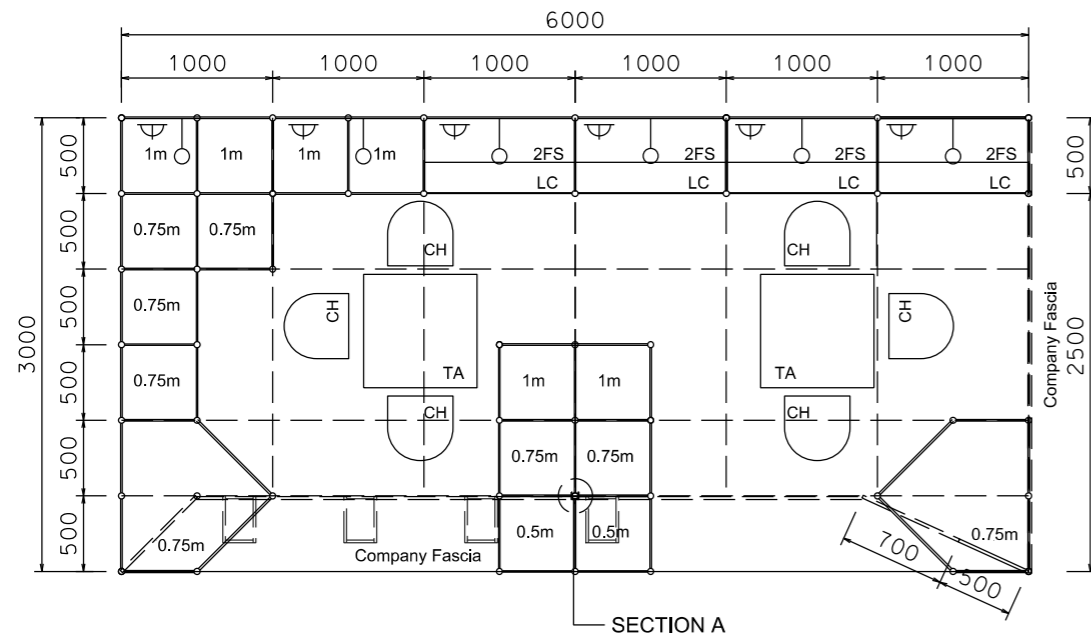
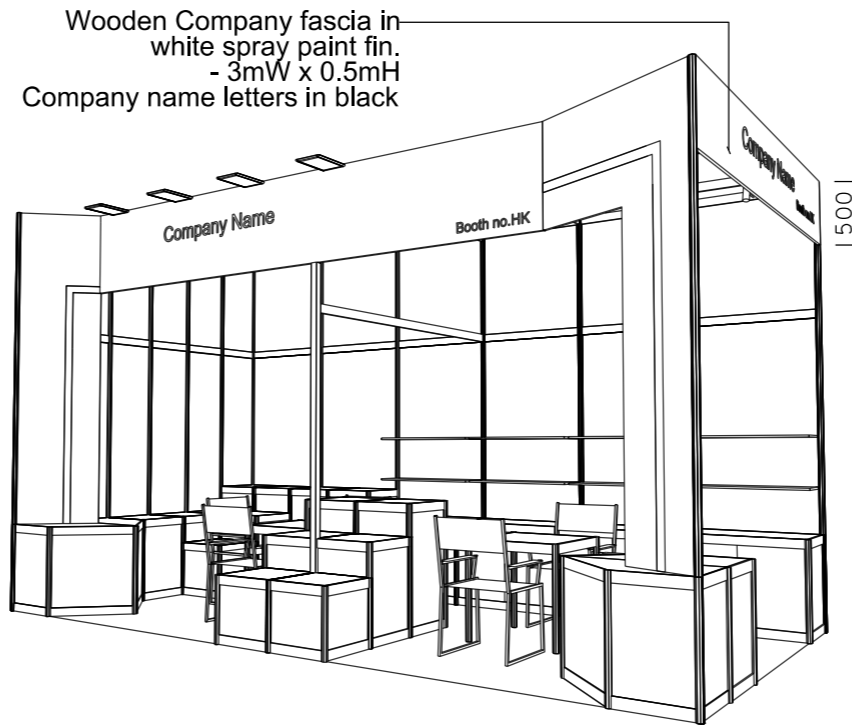


Premium Booth 6mW x 3mD Right Corner Booth

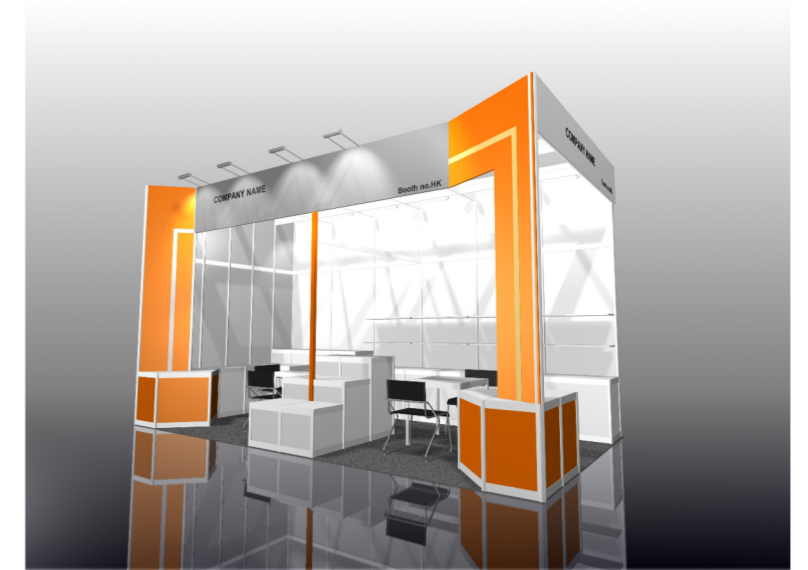
LT-C-18-R Cnr
6mW x 3mD x 3.5mH



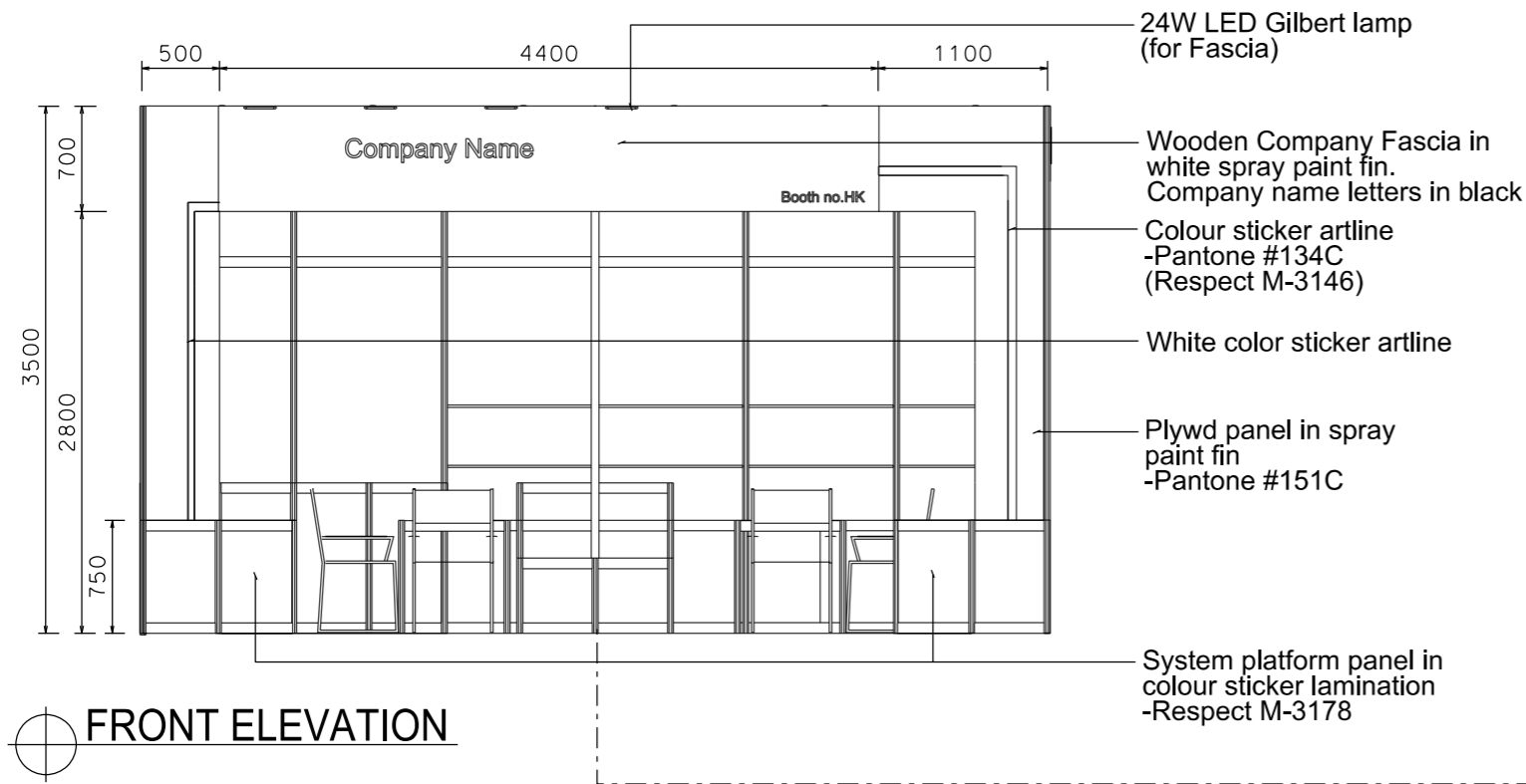
PLAN



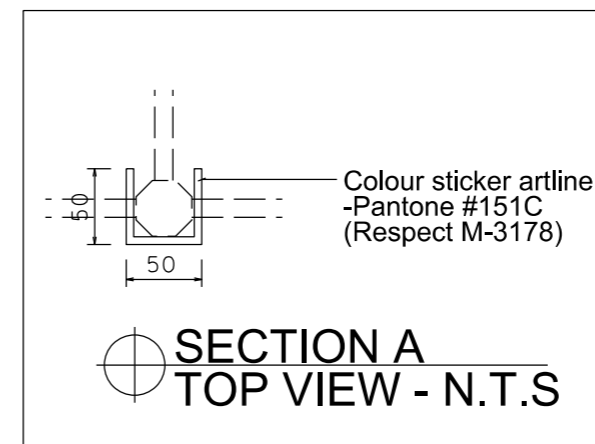
PERSPECTIVE N.T.S



COLOUR PERSPECTIVE N.T.S



FRONT ELEVATION



SECTION A
TOP VIEW - N.T.S

BOOTH SPECIFICATION		QTY
	Lockable cabinet (1mL x 0.5mD x 0.75mH)	4
	Wooden shelf (flat) (1mL x 0.3mD)	8
	1mH podium (0.5m x 0.5m x 1mH)	6
	0.75mH podium (0.5m x 0.5m x 0.75mH)	6
	0.5mH podium (0.5m x 0.5m x 0.5mH)	2
	0.75mH podium in colour sticker lamination (Respect M-3178)	2
	Square meeting table (0.7m X 0.7m x 0.75mH)	2
	Black leather chair	6
	Longarmed spotlight w/13 watt LED lamp (yellow) set at 3.5mH	6
	800w Square pin power socket	6
	24W LED Gilbert lamp (for Fascia)	4
	Ceiling grid (175mmH) set at 3.5mH	30.5m

FILE PATH - \$FILES\$



NOTES UNLESS OTHERWISE SPEBIFIED ALL DIMENSIONS ARE IN MM.

.....
.....
.....

REVISION
20-10-2009
14-04-2011
29-05-2015
29-07-2019

DATE: 29-07-2019
SCALE: 1 : 50 (A3)
DRAWN BY: ..
CHECKED BY:

TITLE
Premium Booth
LT-C-18
R-Corner

PROJEKT
PREMIUM BOOTH
6m x 3m
R Corner
DATE: XXXXXXXX

SHEET
LT-CO2a