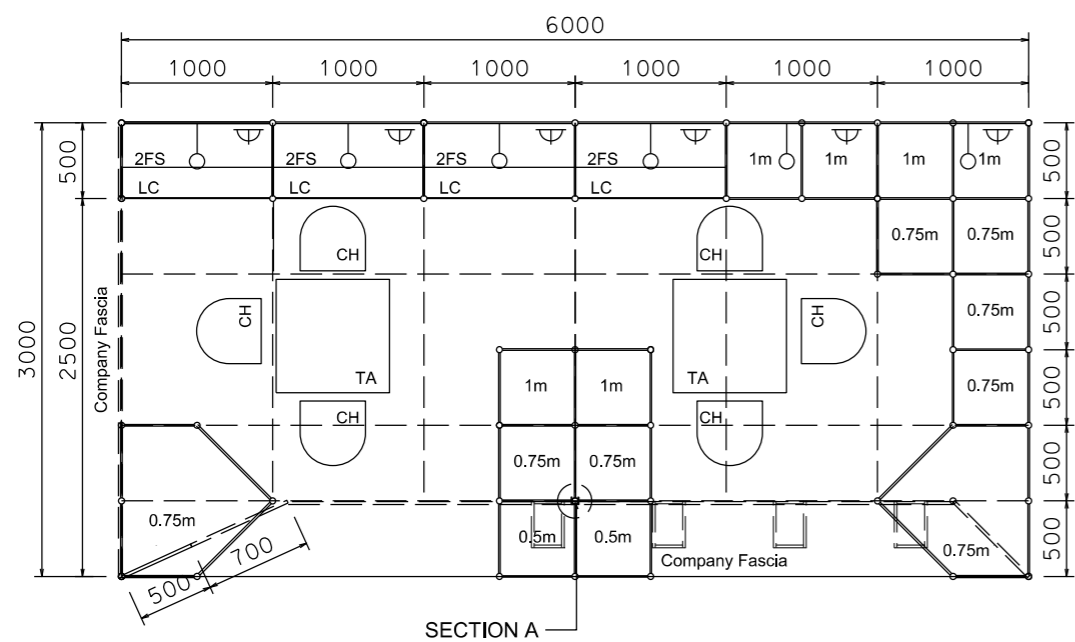
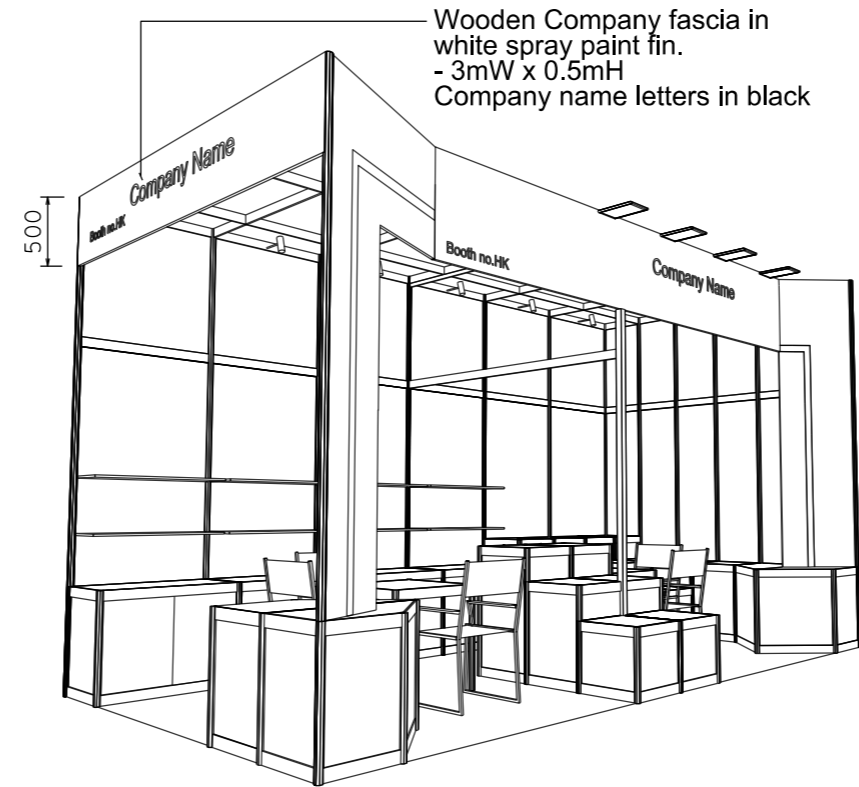


# Premium Booth 6mW x 3mD Left Corner Booth

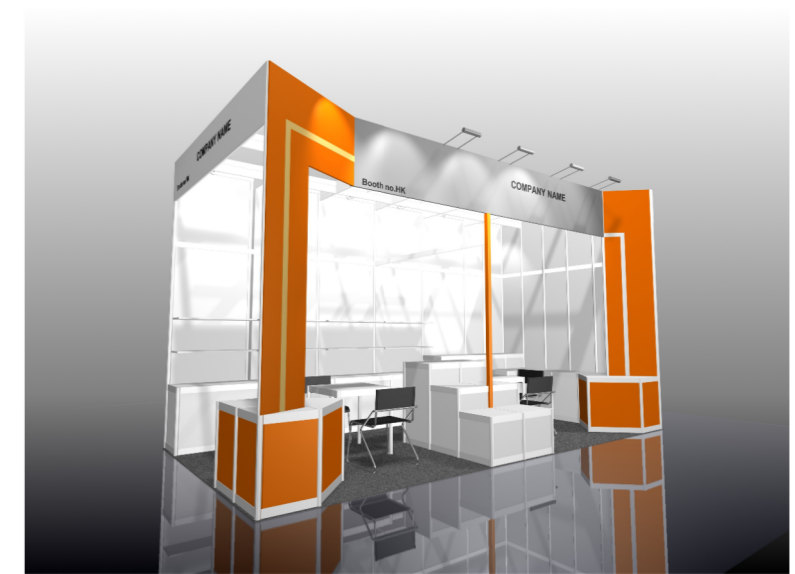
LT-C-18-L\_Cnr  
6mW x 3mD x 3.5mH



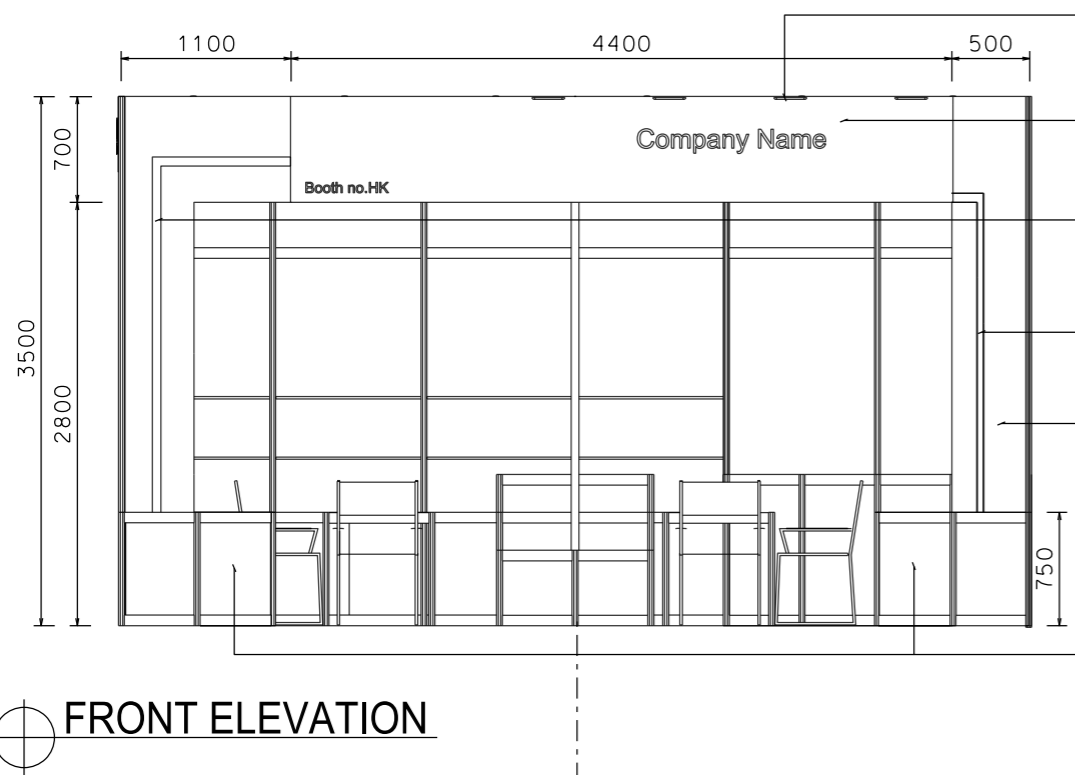
PLAN



PERSPECTIVE N.T.S

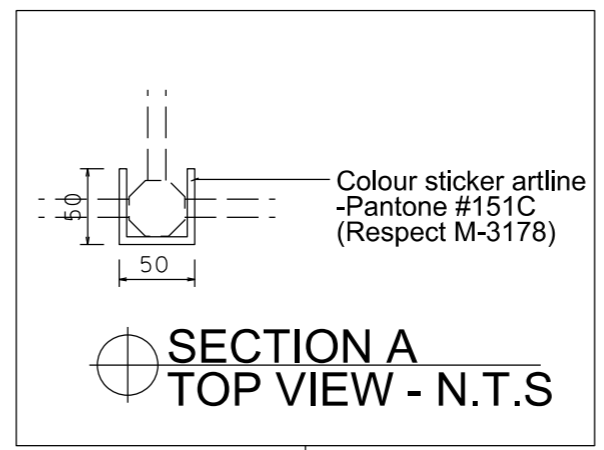


COLOUR PERSPECTIVE N.T.S



FRONT ELEVATION

- 24W LED Gilbert lamp (for Fascia)
- Wooden Company Fascia in white spray paint fin. Company name letters in black
- Colour sticker artline -Pantone #134C (Respect M-3146)
- White colour sticker artline
- Plywd panel in spray paint fin -Pantone #151C
- System platform panel in colour sticker lamination -Respect M-3178



SECTION A TOP VIEW - N.T.S

BOOTH SPECIFICATION		QTY
	Lockable cabinet (1mL x 0.5mD x 0.75mH)	4
	Wooden shelf (flat) (1mL x 0.3mD)	8
	1mH podium (0.5m x 0.5m x 1mH)	6
	0.75mH podium (0.5m x 0.5m x 0.75mH)	6
	0.5mH podium (0.5m x 0.5m x 0.5mH)	2
	0.75mH podium in colour sticker lamination (Respect M-3178)	2
	Square meeting table (0.7m X 0.7m x 0.75mH)	2
	Black leather chair	6
	Longarmed spotlight w/13 watt LED lamp (yellow) set at 3.5mH	6
	800w Square pin power socket	6
	24W LED Gilbert lamp (for Fascia)	4
	Ceiling grid (175mmH) set at 3.5mH	30.5m

FILE PATH - \$FILES\$



**NOTES** UNLESS OTHERWISE SPEBIFIED ALL DIMENSIONS ARE IN MM.

.....

.....

.....

REVISION  
20-10-2009  
14-04-2011  
29-05-2015  
29-07-2019

DATE: 29-07-2019  
SCALE: 1 : 50 (A3)  
DRAWN BY: ..  
CHECKED BY: .....

**TITLE**  
Premium Booth  
LT-C-18  
L Corner

**PROJEKT**  
PREMIUM BOOTH  
6m x 3m  
L Corner  
DATE: XXXXXXXX

SHEET  
LT-C026