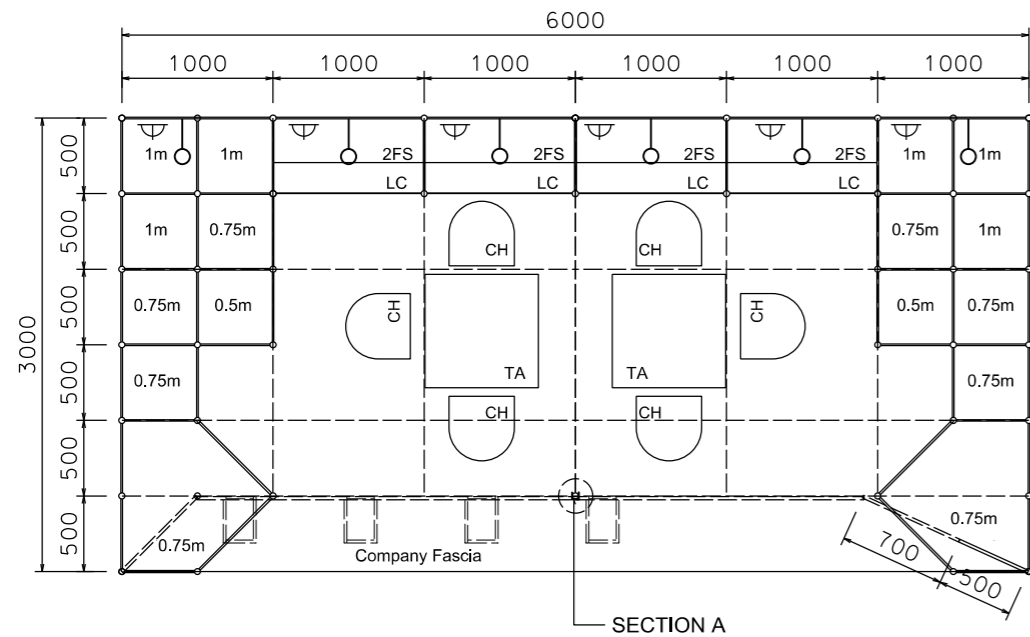
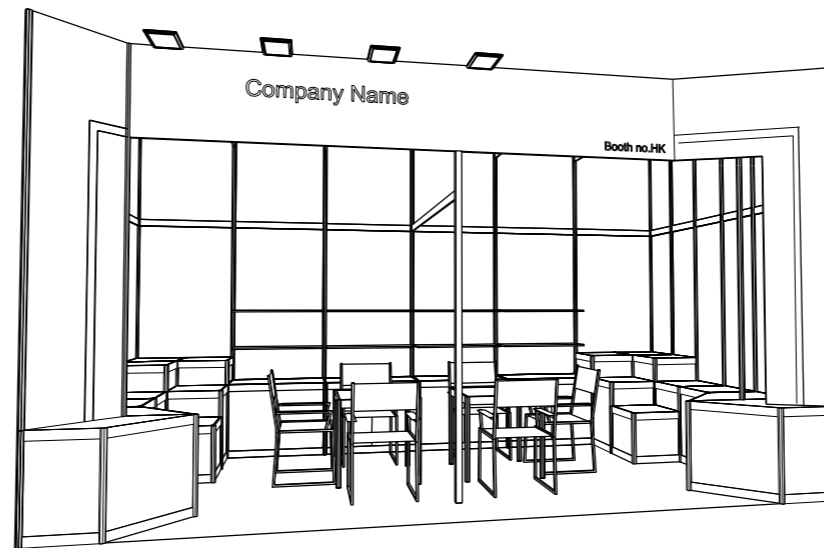


# Premium Booth 6mW x 3mD One side open

LT-C-18  
6mW x 3mD x 3.5mH



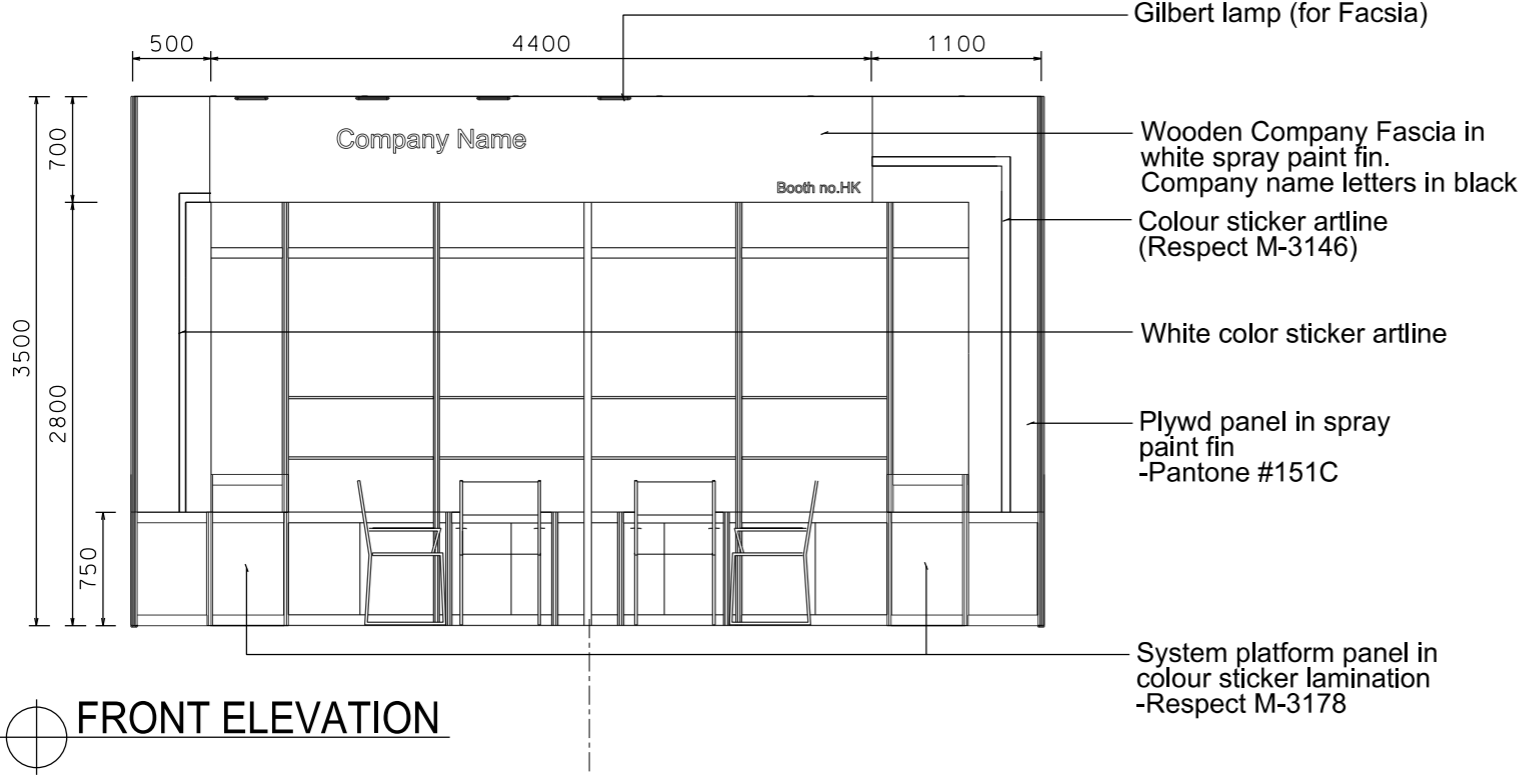
PLAN



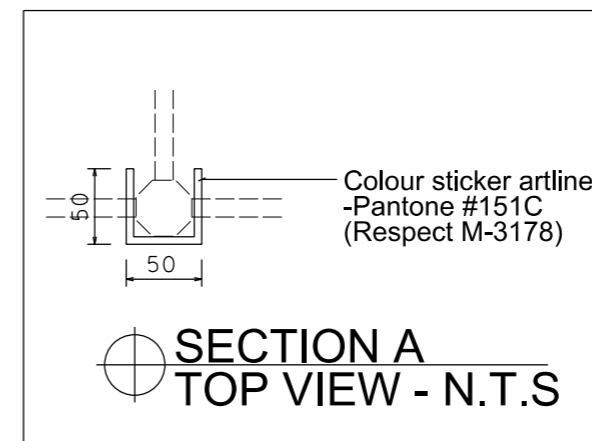
PERSPECTIVE N.T.S



COLOUR PERSPECTIVE N.T.S



FRONT ELEVATION



BOOTH SPECIFICATION		QTY
	Lockable cabinet (1mL x 0.5mD x 0.75mH)	4
	Wooden shelf (flat) (1mL x 0.3mD)	8
	1mH podium (0.5m x 0.5m x 1mH)	6
	0.75mH podium (0.5m x 0.5m x 0.75mH)	6
	0.5mH podium (0.5m x 0.5m x 0.5mH)	2
	0.75mH podium in colour sticker lamination (Respect M-3178)	2
	Square meeting table (0.7m X 0.7m x 0.75mH)	2
	Black leather chair	6
	Longarmed spotlight w/23 watt energy saving lamp (yellow) set at 3.5mH	6
	800w Square pin power socket	6
	150W Gilbert lamp (for fascia)	4
	Ceiling grid (175mmH) set at 3.5mH	30.5m

FILE PATH - L:\Local Fair Premium Booth 2011\LT-C layout\LT-C-2dLayout\_update.dgn



NOTES UNLESS OTHERWISE SPEBIFIED ALL DIMENSIONS ARE IN MM.

REVISION  
20-10-2009  
29-05-2015

DATE: 12-01-2009  
SBALE: 1 : 50 (A3)  
DRAWN BY: ..  
BHEBKED BY: .....

TITLE  
Premium Booth  
LT-C-18

PROJEBT  
PREMIUM BOOTH  
6m x 3m  
DATE: XXXXXXXX

SHEET  
LT-C02